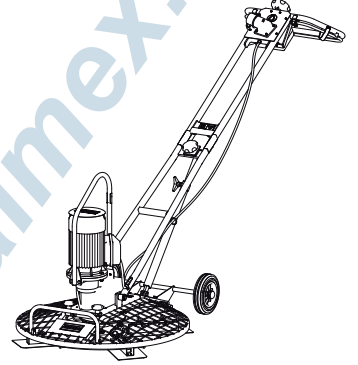


## Spare parts list

### Trowel

	Valid from serial number
G Combi E-L-TP 850 mm (33.46 in.)	BGF0000001
G Combi E-L-TP 1000 mm (39.37 in.)	BGF0000001





**DALMEX**

**TREMIX®**

[www.dalmex.net](http://www.dalmex.net)

[www.dalmex.net](http://www.dalmex.net)

[www.dalmex.net](http://www.dalmex.net)

[www.dalmex.net](http://www.dalmex.net)

## Contents

General information.....	5
Spare parts list.....	6
Handle.....	6
Electric equipment.....	8
Bridge and motor installation.....	10
Protection ring (855 mm).....	14
Protection ring (1000 mm).....	16
Blade assembly.....	18
Labels.....	20
Accessories.....	22
Accessories.....	22
Consumables.....	22
Kits.....	23
Bolt on blade kit.....	23
Wiring diagram.....	24



**DALMEX**

**TREMIX®**

[www.dalmex.net](http://www.dalmex.net)

[www.dalmex.net](http://www.dalmex.net)

[www.dalmex.net](http://www.dalmex.net)

[www.dalmex.net](http://www.dalmex.net)

## General information

This spare parts list applies to the following:

Part number	Description
3382 0001 47	Trowel G Combi E-L-TP 850 mm (33.46 in.)
3382 0001 48	Trowel G Combi E-L-TP 1000 mm (39.37 in.)

Use only authorized parts. Any damage or malfunction caused by the use of unauthorized parts is not covered by Warranty or Product Liability.

Any unauthorized use or copying of the contents or any part thereof is prohibited. This applies in particular to trademarks, model denominations, part numbers, and drawings.

### Instructions for use

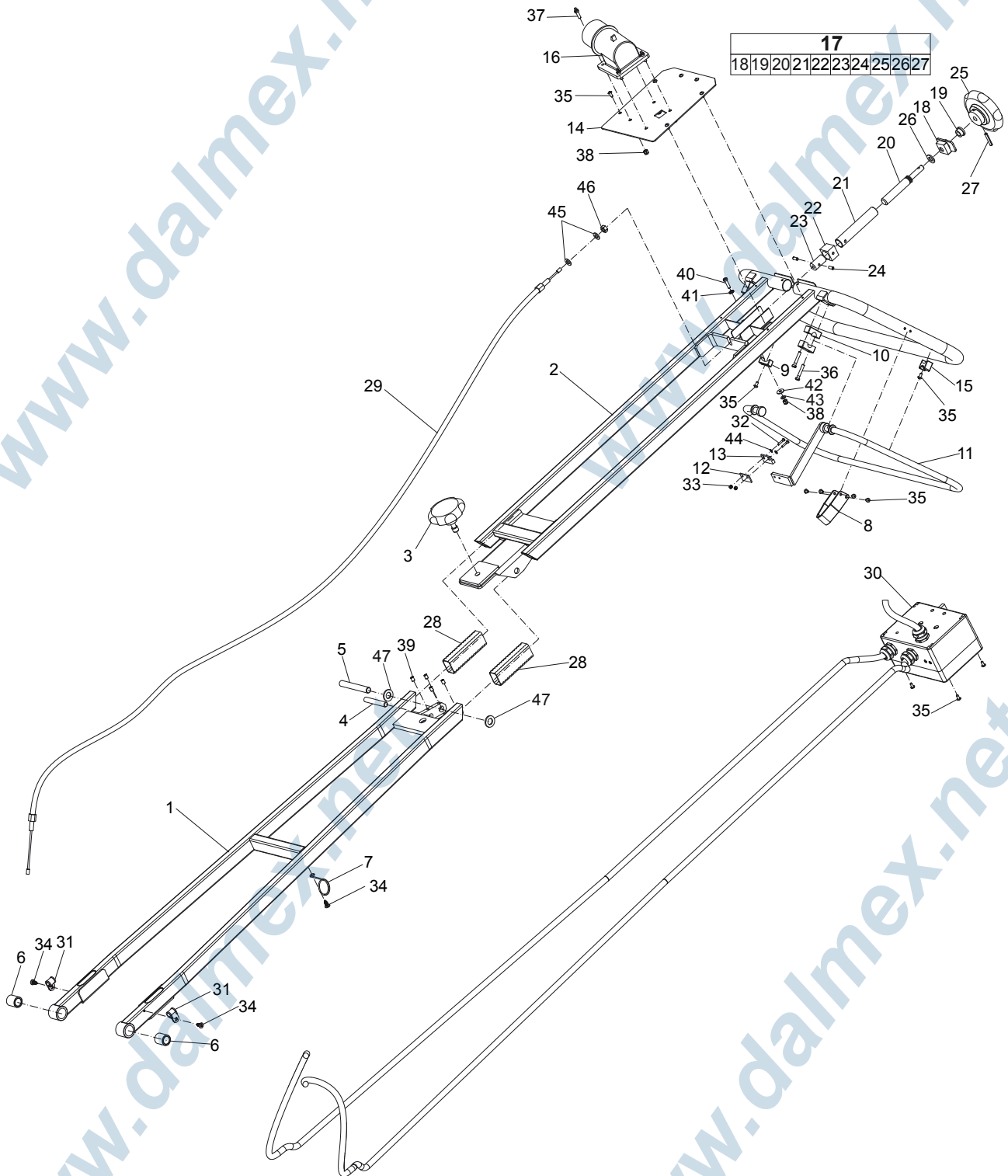
This spare parts list contains no safety regulations and is merely intended to assist in the ordering of spare parts.

For information about operating, servicing, or repairing, the relevant Safety and operating instructions must be consulted at all costs.

Please observe the safety instructions listed in the relevant Safety and operating instructions!

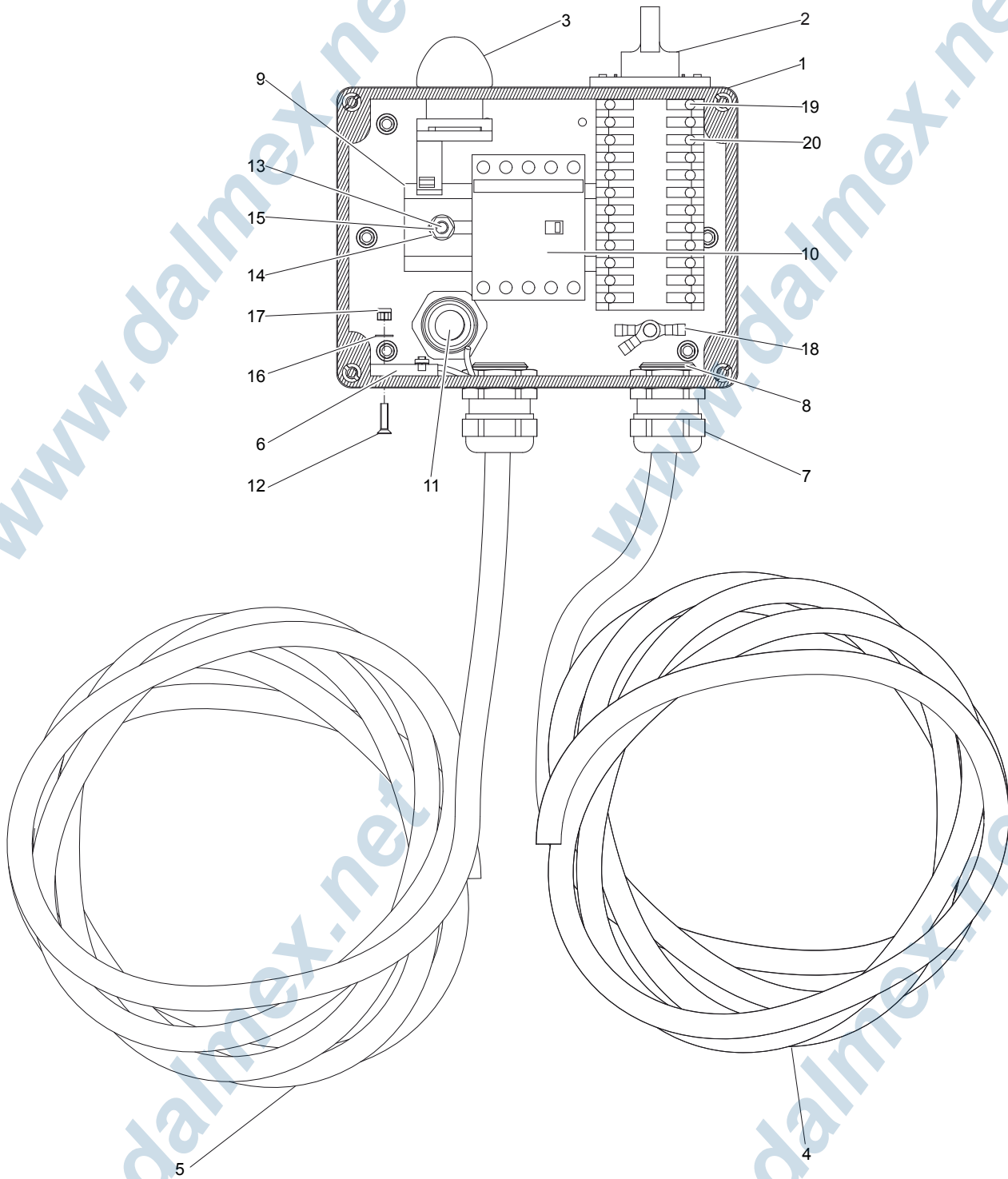
# Spare parts list

## Handle



No.	Description	Remark	Quantity	Part number
1	Handle	Lower part	1	3382 0110 65
2	Handle	Upper part	1	3382 0110 63
3	Knob		1	4700 0469 30
4	Guide shaft		1	3382 0103 22
5	Axle		1	3382 0102 81
6	Bearing	Bronze	2	3382 0103 24
7	Wire holder		1	4700 0464 31
8	Catch		2	3382 0103 23
9	Guidance	Left	1	3382 0103 60
10	Bearing half		4	3382 0103 12
11	Safety catch		1	3382 0110 66
12	Insulating washer		1	3382 0103 37
13	Magnet		1	3382 0103 82
14	Lid		1	3382 0110 71
15	Guidance	Right	1	3382 0103 61
16	Appliance inlet		1	3382 0103 86
<b>17(18-27)</b>	<b>Blade adjuster, complete</b>		1	3382 1000 94
18	Bearing holder		1	-
19	Flange bearing		1	-
20	Adjusting screw		1	-
21	Adjusting nut		1	-
22	Guiding		1	-
23	Wire lock		1	-
24	Set screw		2	-
25	Knob		1	-
26	Plane washer	Ø10 x 2 mm Ø0.39 x 0.08 in.	1	-
27	Spring pin	Ø5 x 30 mm Ø0.20 x 1.18 in.	1	-
28	Rubber bellow		2	3382 0103 88
29	Blade adjusting wire		1	3382 0103 87
30	Electric equipment	For detailed information, see section "Electric equipment"	1	3382 0110 15
31	Clamp		2	0346 1000 49
32	Slotted screw	M3 x 16 mm	2	-
33	Lock nut	M3	2	-
34	Screw with integrated washer	Ø4.2 x 14 mm Ø0.17 x 0.55 in.	3	0226 3139 03
35	Tapping screw		20	0226 3343 89
36	Slotted screw	M5 x 30 mm	4	-
37	Slotted screw	M5 x 16 mm	4	-
38	Lock nut	M5	5	-
39	Set screw	M6 x 8 mm	4	-
40	Slotted screw	M5 x 20 mm	1	-
41	Locking washer		1	0333 3215 00
42	Washer	Ø5 x 1.2 mm Ø0.20 x 0.05 in.	1	-
43	Washer	Ø5 x 1 mm Ø0.20 x 0.04 in.	1	-
44	Washer	Ø3 x 0.5 mm Ø0.12 x 0.02 in.	2	-
45	Washer	Ø8 x 1.6 mm Ø0.31 x 0.06 in.	2	-
46	Hexagon nut	M8	1	-
47	Washer	Ø13 x 2.5 mm Ø0.51 x 0.10 in.	2	-

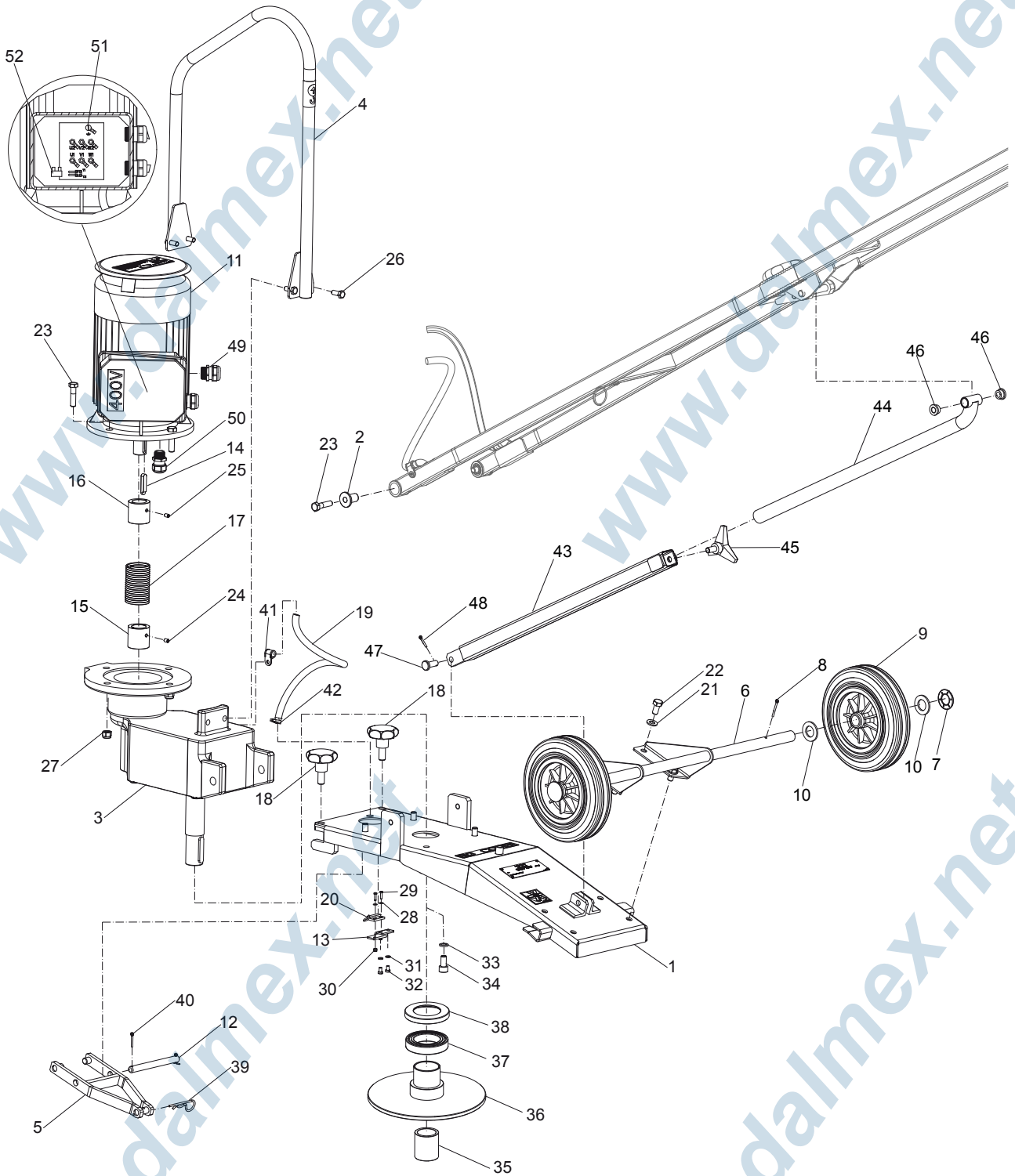
## Electric equipment





No.	Description	Remark	Quantity	Part number
1	Junction box	ct-722	1	3382 0103 73
2	Switch		1	3382 0103 84
3	Switch		1	3382 0103 85
4	Cable		1	3382 0110 14
5	Cable		1	3382 0110 13
6	Magnetic sensor		1	3382 0103 79
7	Cable gland	pg 16	3	0698 5140 25
8	Nut	pg 16	3	1088 0302 05
9	Rail		1	3382 0110 39
10	Contactora		1	3382 0110 38
11	Cable		1	3382 0110 45
12	Screw	3 x 12 mm MFS 0.12 x 0.47 in.	2	-
13	Screw	5 x 10 mm MFS 0.20 x 0.39 in.	2	-
14	Washer	Ø5 x 1 mm Ø0.20 x 0.04 in.	2	-
15	Hexagon nut	M5	2	-
16	Washer	Ø3 x 0.5 mm Ø0.12 x 0.02 in.	2	-
17	Lock nut	M3	2	-
18	Cable lug		3	0694 5520 00
19	End socket	0.14 mm <sup>2</sup>	4	0694 5820 38
20	End socket	1.5 mm <sup>2</sup>	29	9139 6002 21

# Bridge and motor installation



No.	Description	Remark	Quantity	Part number
1	Bridge, complete		1	3382 0110 67
2	Bushing		2	3382 0102 73
3	Gearbox		1	3382 0102 56
4	Lifting eye		1	3382 0110 69
5	Fork		1	3382 0102 38
6	Wheel stand		1	3382 0110 68
7	Locking washer with cap	Ø20 mm Ø0.79 in.	2	-
8	Split pin	Ø3.2 x 28 mm Ø0.13 x 1.10 in.	2	0111 1252 02
9	Wheel		2	3382 0103 78
10	Washer	Ø20 x 3 mm Ø0.79 x 0.12 in.	4	-
11	Electric motor		1	3382 0110 64
12	Axle		1	3382 0102 74
13	Guard		1	3382 0102 80
14	Parallel key		1	3382 0102 85
15	Coupling half	Lower	1	3382 0102 86
16	Coupling half	Upper	1	3382 0102 82
17	Drive spring		1	3382 0102 84
18	Handle		2	3382 0103 80
19	Hose	Ø8/Ø12 x 440 mm Ø0.31/Ø0.47 x 17.32 in.	1	3382 0110 12
20	Magnetic sensor		1	3382 0103 79
21	Plane washer	Ø10 x 2 mm 0.39 x 0.08 in.	4	-
22	Screw	Hexagon M10 x 20 mm	4	-
23	Screw	Hexagon M10 x 40 mm	6	-
24	Set screw	M6 x 8 mm	1	-
25	Set screw	M8 x 8 mm	1	-
26	Screw	Hexagon M8 x 20 mm 8.8	4	-
27	Lock nut	M10	4	-
28	Washer	Ø3 x 0.5 mm Ø0.12 x 0.02 in.	2	-
29	Slotted screw	M3 x 12 mm	2	-
30	Lock nut	M3	2	-
31	Spring washer	Ø5.1 x 1.6 mm Ø0.20 x 0.06 in.	2	0333 2174 12
32	Slotted screw	M5 x 8 mm	2	-
33	Spring washer	Ø10.2 x 2.5 mm Ø0.40 x 0.10 in.	4	0333 2174 51
34	Screw	Hexagon M10 x 20 mm 8.8	4	-
35	Plain bearing		1	3382 0102 71
36	Pressure plate		1	3382 0102 68
37	Ball bearing		1	0502 1236 00
38	Support washer		1	3382 0102 72
39	Locking clip		1	0111 1686 07
40	Split pin	Ø3.2 x 20 mm Ø0.13 x 0.79 in.	2	0111 1279 03
41	Clamp		1	0346 1000 49
42	Cable tie		1	0348 0101 17
43	Stay	Lower	1	3382 0102 41
44	Stay	Upper	1	3382 0110 70
45	Knob		1	4700 0462 89
46	Flange bearing		2	4700 0000 39
47	Clevis pin		1	4700 0021 95

No.	Description	Remark	Quantity	Part number
48	Split pin	Ø3.2 x 20 mm Ø0.13 x 0.79 in.	1	0111 1279 03
49	Cable gland		2	0698 5140 25
50	Cable gland		1	0698 5140 23
51	Cable lug		7	0694 5520 00
52	Terminal block	2.5 mm <sup>2</sup>	1	3382 0110 46

www.dalmex.net

www.dalmex.net

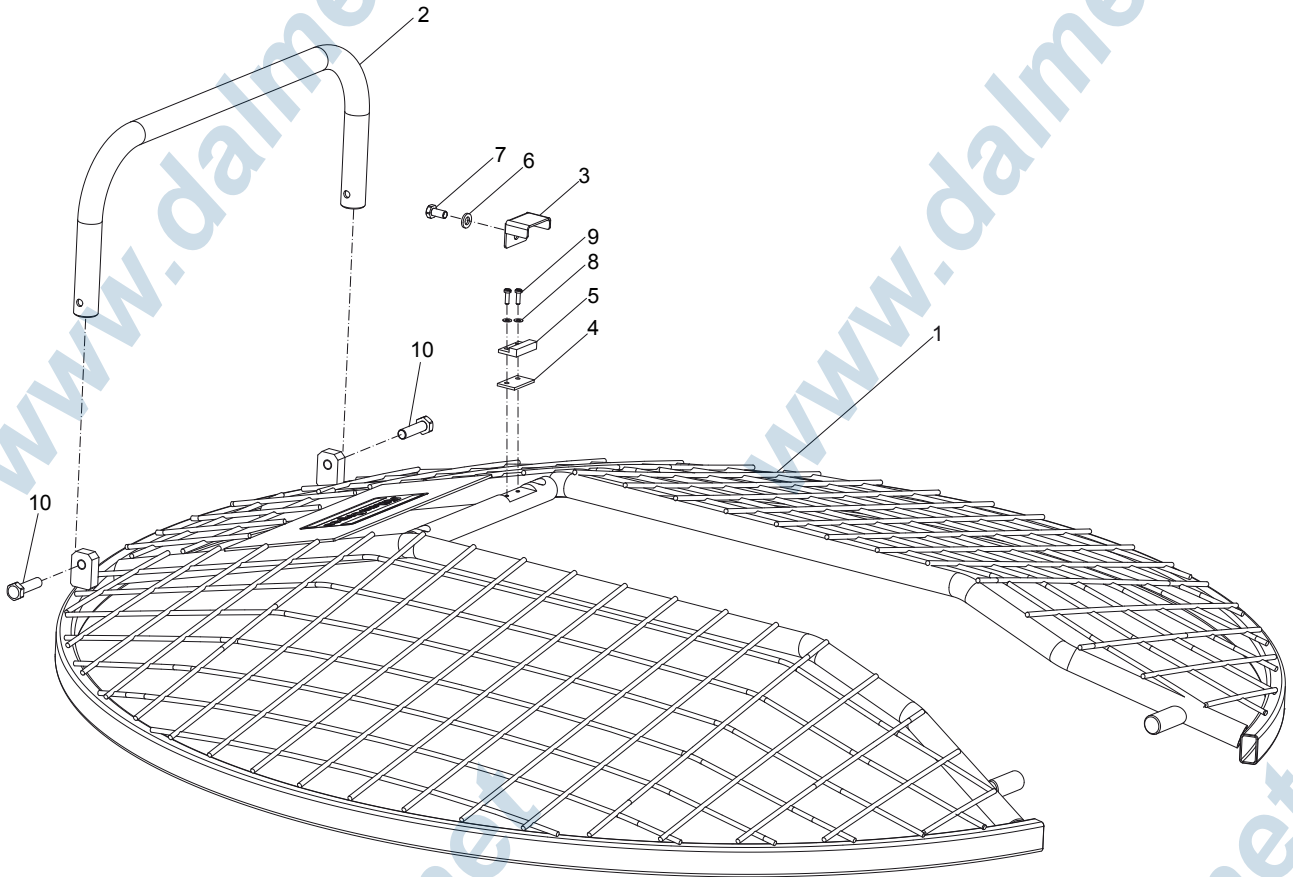
[www.dalmex.net](http://www.dalmex.net)

[www.dalmex.net](http://www.dalmex.net)

[www.dalmex.net](http://www.dalmex.net)

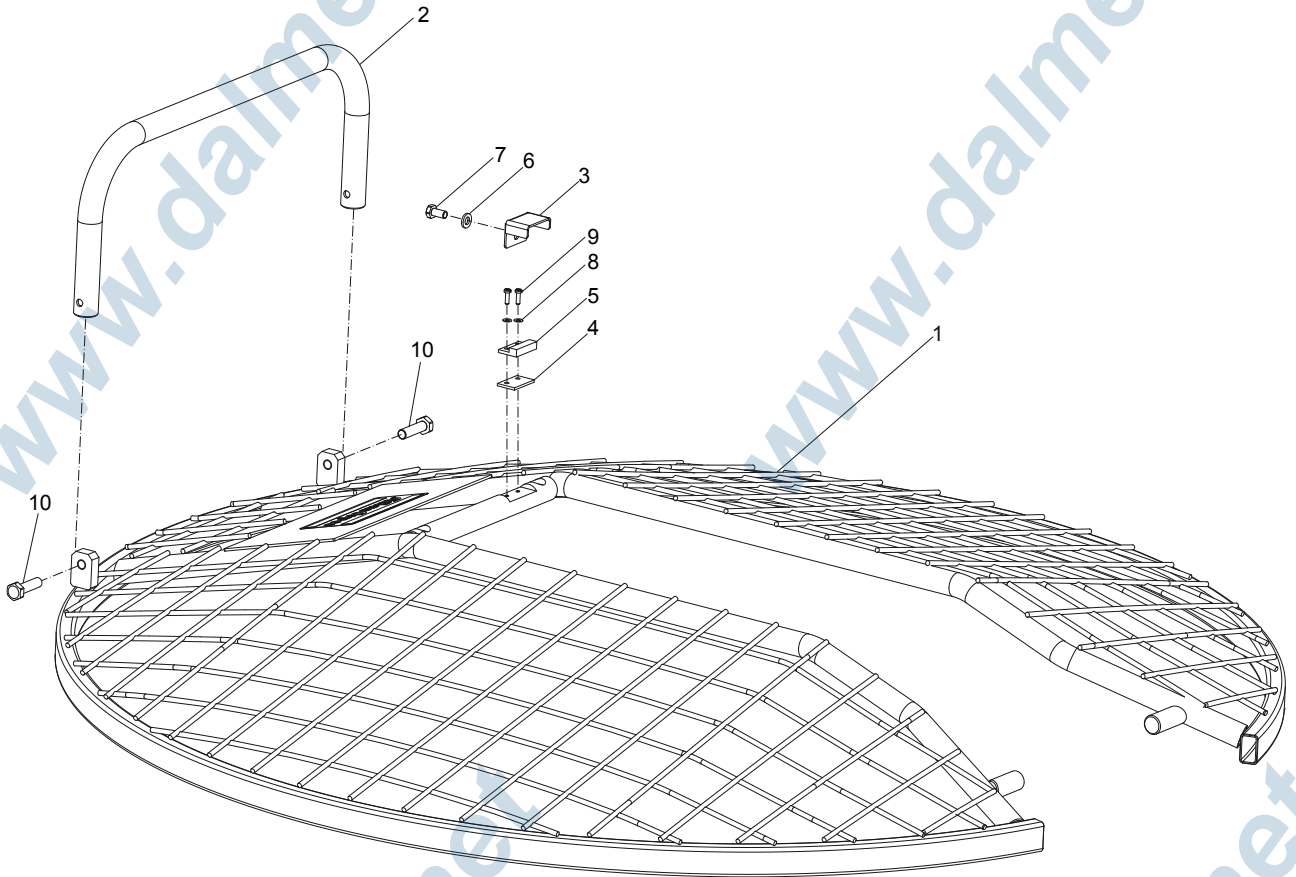
[www.dalmex.net](http://www.dalmex.net)

## Protection ring (855 mm)



No.	Description	Remark	Quantity	Part number
1	Protection ring	Ø855 mm Ø33.66 in.	1	3382 0110 62
2	Lifting eye		1	3382 0110 72
3	Cover		1	3382 0103 36
4	Insulating washer		1	3382 0103 37
5	Magnet		1	3382 0103 82
6	Washer	Ø6 x 1.6 mm 0.24 x 0.06 in.	1	-
7	Screw	Hexagon M6 x 12 mm 8.8	1	-
8	Washer	Ø3 x 0.5 mm Ø0.12 x 0.02 in.	2	-
9	Slotted screw	M3 x 10 mm	2	-
10	Screw	Hexagon M8 x 30 mm 8.8	2	-

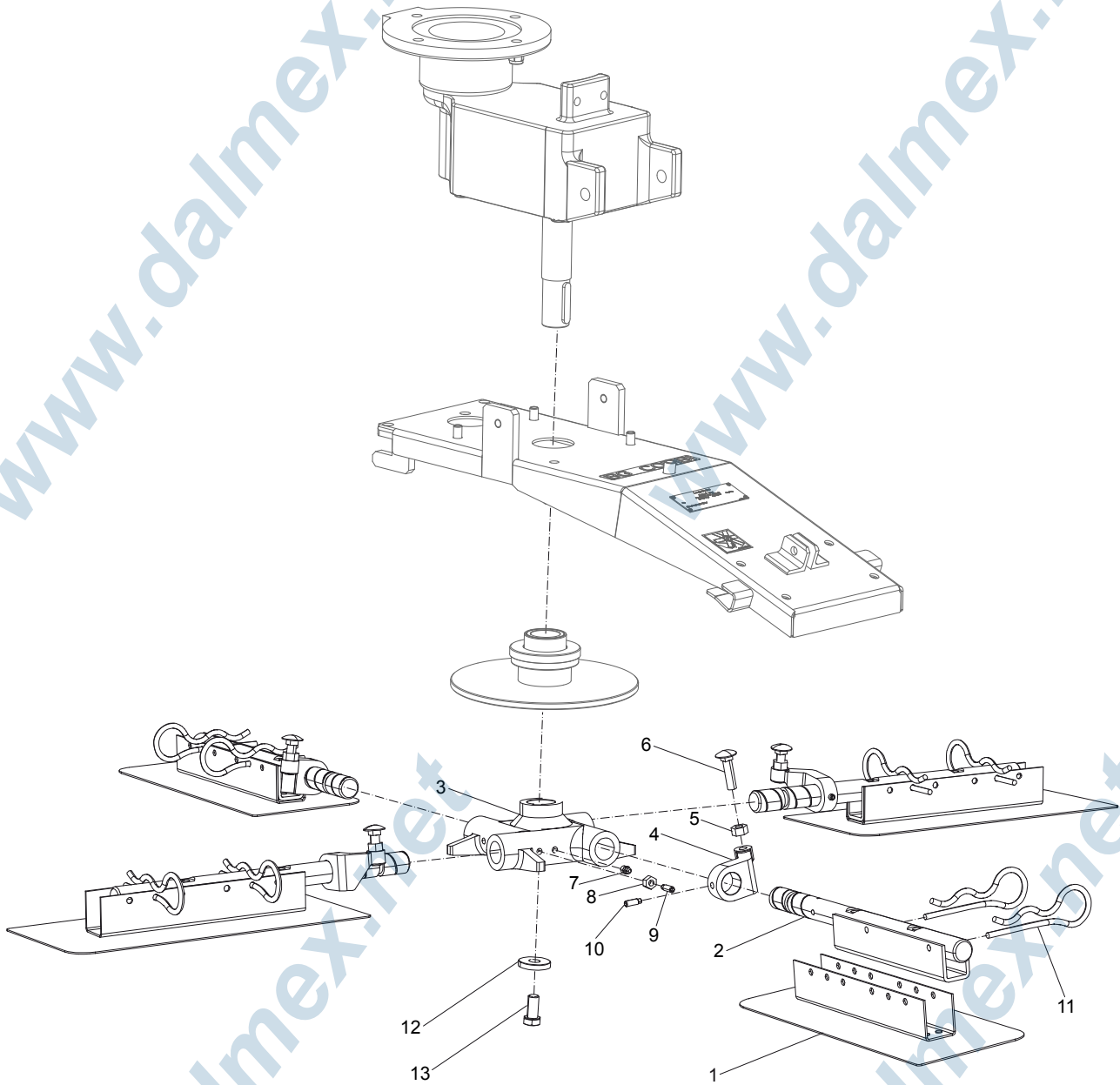
## Protection ring (1000 mm)





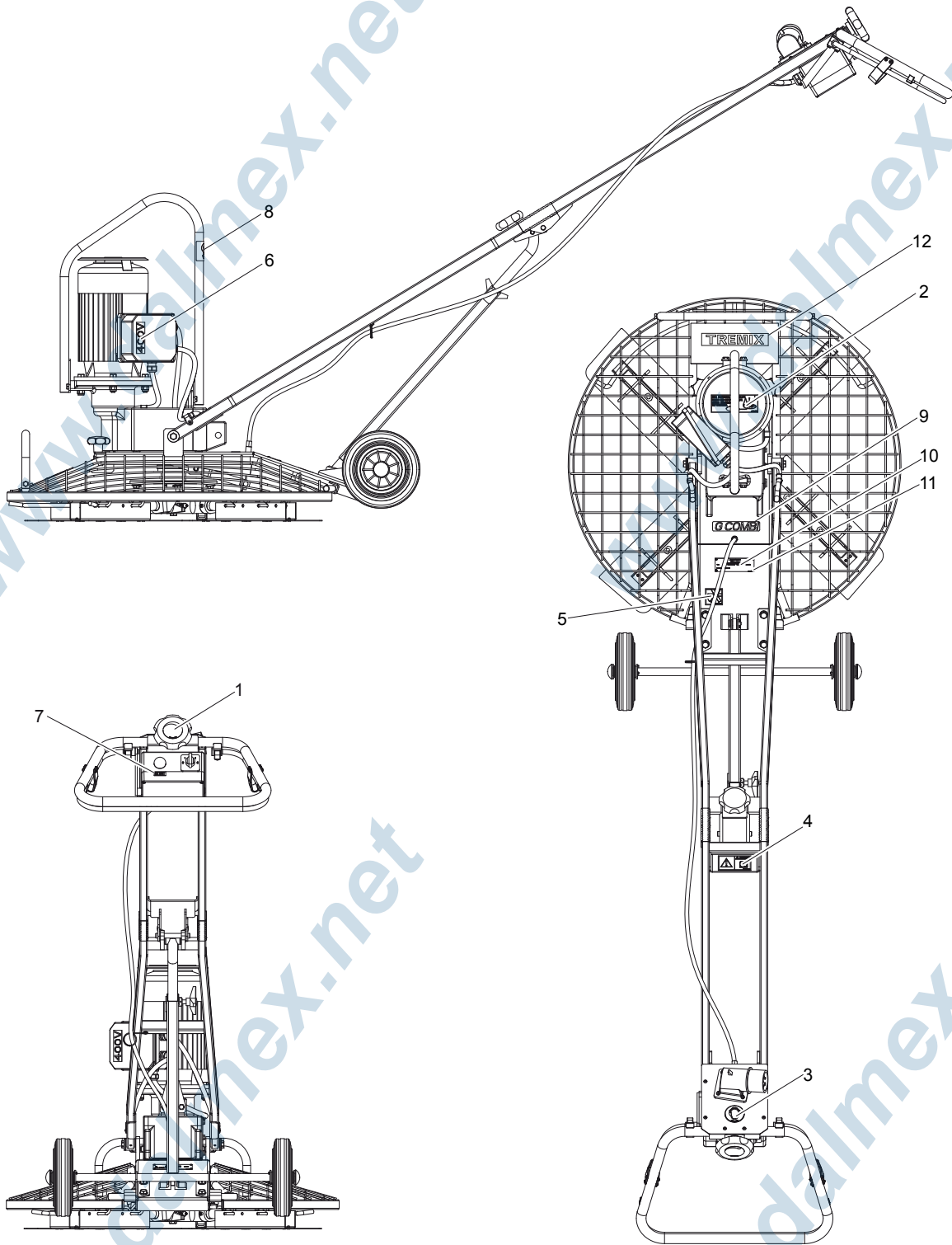
No.	Description	Remark	Quantity	Part number
1	Protection ring	Ø1000 mm Ø39.37 in.	1	3382 0110 61
2	Lifting eye		1	3382 0103 35
3	Cover		1	3382 0103 36
4	Insulating washer		1	3382 0103 37
5	Magnet		1	3382 0103 82
6	Washer	Ø6 x 1.6 mm 0.24 x 0.06 in.	1	-
7	Screw	Hexagon M6 x 12 mm 8.8	1	-
8	Washer	Ø3 x 0.5 mm Ø0.12 x 0.02 in.	2	-
9	Slotted screw	M3 x 10 mm	2	-
10	Screw	Hexagon M8 x 30 mm 8.8	2	-

## Blade assembly



No.	Description	Remark	Quantity	Part number
1	Towelling blade		4	-
2	Blade arm		4	4700 0220 64
3	Hub		1	4700 0320 65
4	Arm		4	4700 0462 49
5	Nut	M10 A3K	4	-
6	Carriage bolt	M10 x 40 mm 8.8	4	0253 3050 01
7	Grease nipple		4	0544 1100 09
8	Nut	M8 A2K	4	-
9	Stop screw	M8 x 20 mm	4	-
10	Stop screw	M8 x 16 mm	4	-
11	Locking clip		8	0111 1686 09
12	Washer	11 x 36 x 6 mm 0.43 x 1.42 x 0.24 in.	1	-
13	Screw	Hexagon M10 x 25 mm	1	-

## Labels



No.	Description	Remark	Quantity	Part number
1	Label	Increase - Decrease	1	4700 0459 02
2	Label	Remove disc	1	4700 0462 39
3	Label	Ear protection	1	3382 0109 00
4	Safety label		1	3382 0108 99
5	Label	Cutting hazards	1	3382 0109 02
6	Label	Volt	1	4700 0439 86
7	Label	Start	1	4700 0448 55
8	Label	Lifting point	1	3382 0109 01
9	Product label	"G Combi"	1	3382 0112 53
10	Data plate		1	-
11	Drive screw		4	-
12	Product label	"Tremix"	1	3382 0110 04

www.dalmex.net

www.dalmex.net

## Accessories

### Accessories

Description	Remark	Quantity	Part number
Protection ring	Ø 855 mm Ø33.66 in.	1	3382 0110 62
Protection ring	Ø1000 mm Ø39.37 in.	1	3382 0110 61

### Consumables

Description	Remark	Quantity	Part number
Floating disc	Ø865 mm (34.06 in.)	1	4700 0323 97
Floating disc	Ø950 mm (37.40 in.) 2.5 mm (0.10 in.), thick	1	4700 0319 37
Floating disc	Ø950 mm (37.40 in.) 3 mm (0.12 in.), thick	1	4700 0330 36
Floating disc	Ø1015 mm (39.96 in.)	1	4700 0324 73
Trowel blade	Quick release, 4 blades included	1	4700 0022 55

## Kits

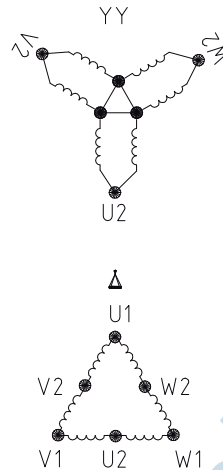
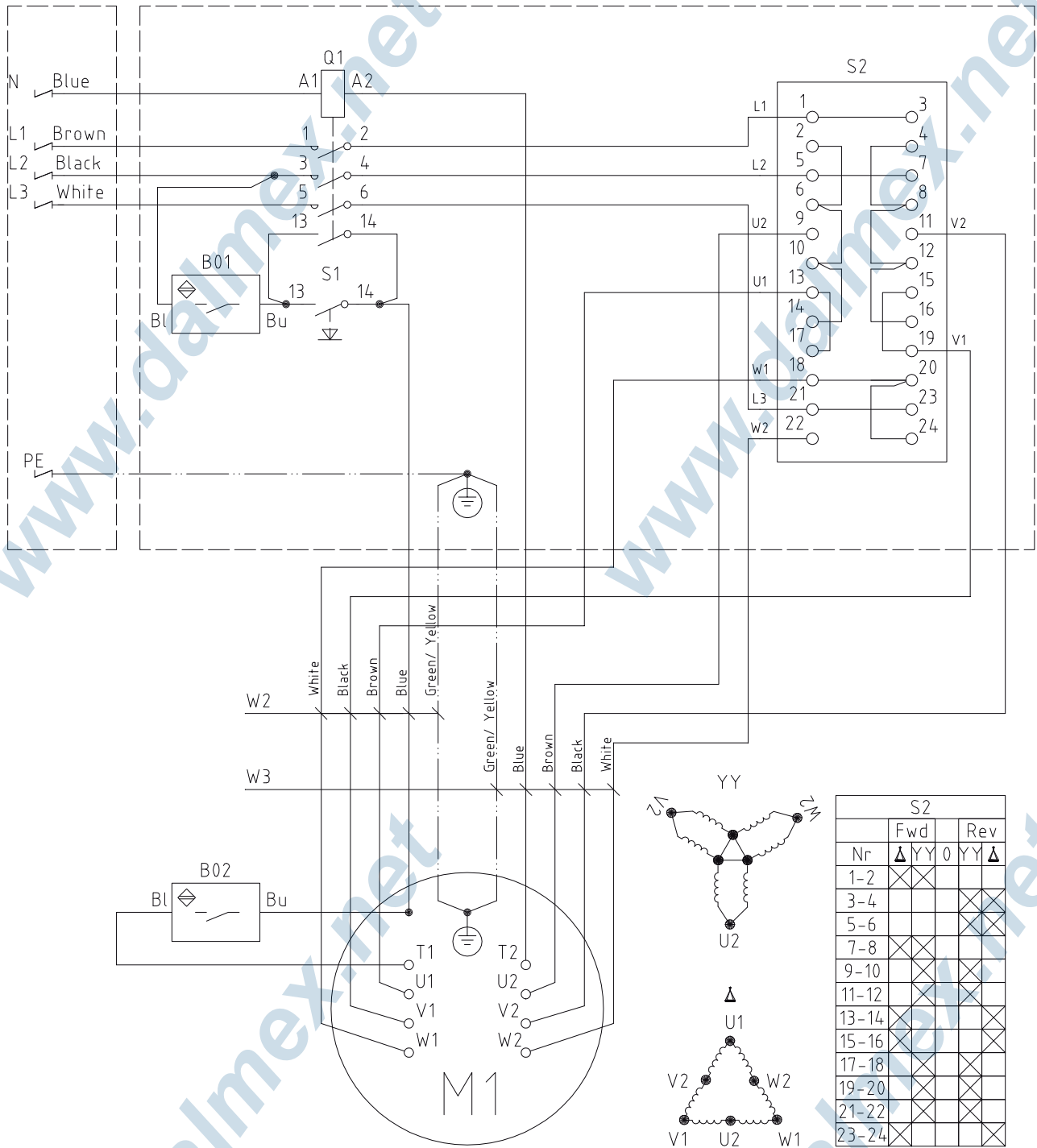
### Bolt on blade kit

Description	Remark	Quantity	Part number
Bolt on blade kit		1	3382 1000 59
Trowel blade		4	-
Bolt	UNC 5/16 X 2 1/4 in.	8	-

www.dalmex.net

www.dalmex.net

# Wiring diagram



Nr	S2	
	Fwd	Rev
1-2	Δ YY 0	YY Δ
3-4		
5-6		
7-8		
9-10		
11-12		
13-14		
15-16		
17-18		
19-20		
21-22		
23-24		





**DALMEX**

**TREMIX®**

[www.dalmex.net](http://www.dalmex.net)

[www.dalmex.net](http://www.dalmex.net)

[www.dalmex.net](http://www.dalmex.net)

[www.dalmex.net](http://www.dalmex.net)



**DALMEX**

**TREMIX®**

[www.dalmex.net](http://www.dalmex.net)

[www.dalmex.net](http://www.dalmex.net)

[www.dalmex.net](http://www.dalmex.net)

[www.dalmex.net](http://www.dalmex.net)



**DALMEX**

**TREMIX®**

[www.dalmex.net](http://www.dalmex.net)

[www.dalmex.net](http://www.dalmex.net)

[www.dalmex.net](http://www.dalmex.net)

[www.dalmex.net](http://www.dalmex.net)



[www.dalmex.net](http://www.dalmex.net)

[www.dalmex.net](http://www.dalmex.net)

[www.dalmex.net](http://www.dalmex.net)

[www.dalmex.net](http://www.dalmex.net)

Any unauthorized use or copying of the contents or any part thereof is prohibited.  
This applies in particular to trademarks, model denominations, part numbers, and drawings.

No. 9800 1343 01 | 2012-06-01